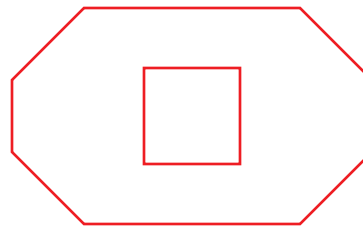


small button, horizontal (72/sqft):

1/16 transparent

1/8 green

1/16 black



green x 408

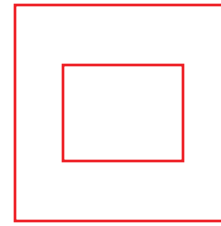
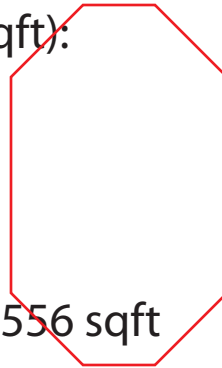
34 teams * 12 pieces = 408 = 5.67 sq ft

middle button, square (120/sqft):

1/16 transparent

1/8 blue

1/16 black



blue x 306

red x 408

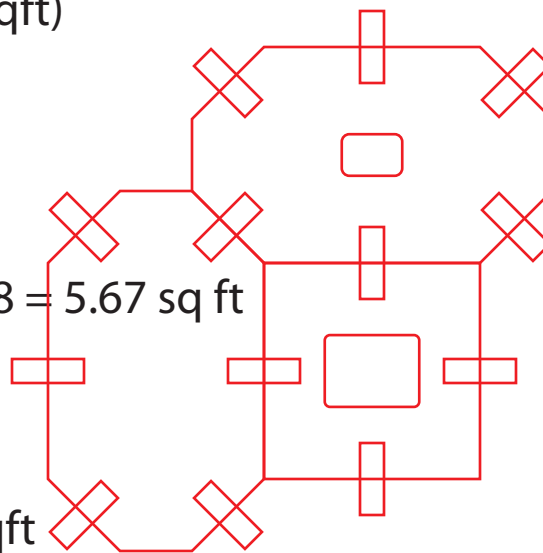
34 teams * 9 pieces = 306 = 2.556 sqft

past button, vertical (72/sqft)

1/16 transparent

1/8 red

1/16 black



34 teams * 12 pieces = 408 = 5.67 sq ft

transparent x 306

(+102 long only)

=====

1/16 transparent = 8.22 sqft

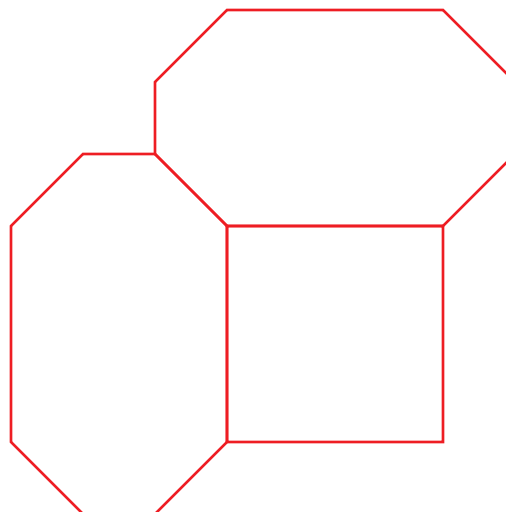
1/16 black = 8.22 sqft

1/8 green = 5.67 sqft

1/8 blue = 2.556 sqft

1/8 red = 5.67 sqft

1/8 cheap = 5.67 sqft



black x 306

(+102 long only)